



SLIM JIM® RESIN FRONT STEP CONTAINERS

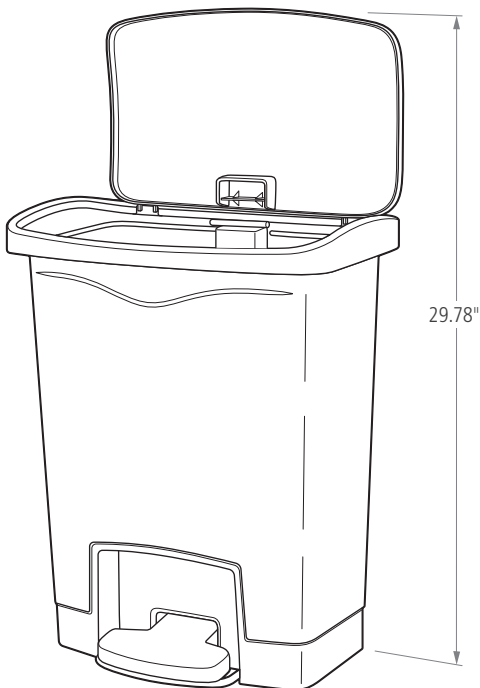
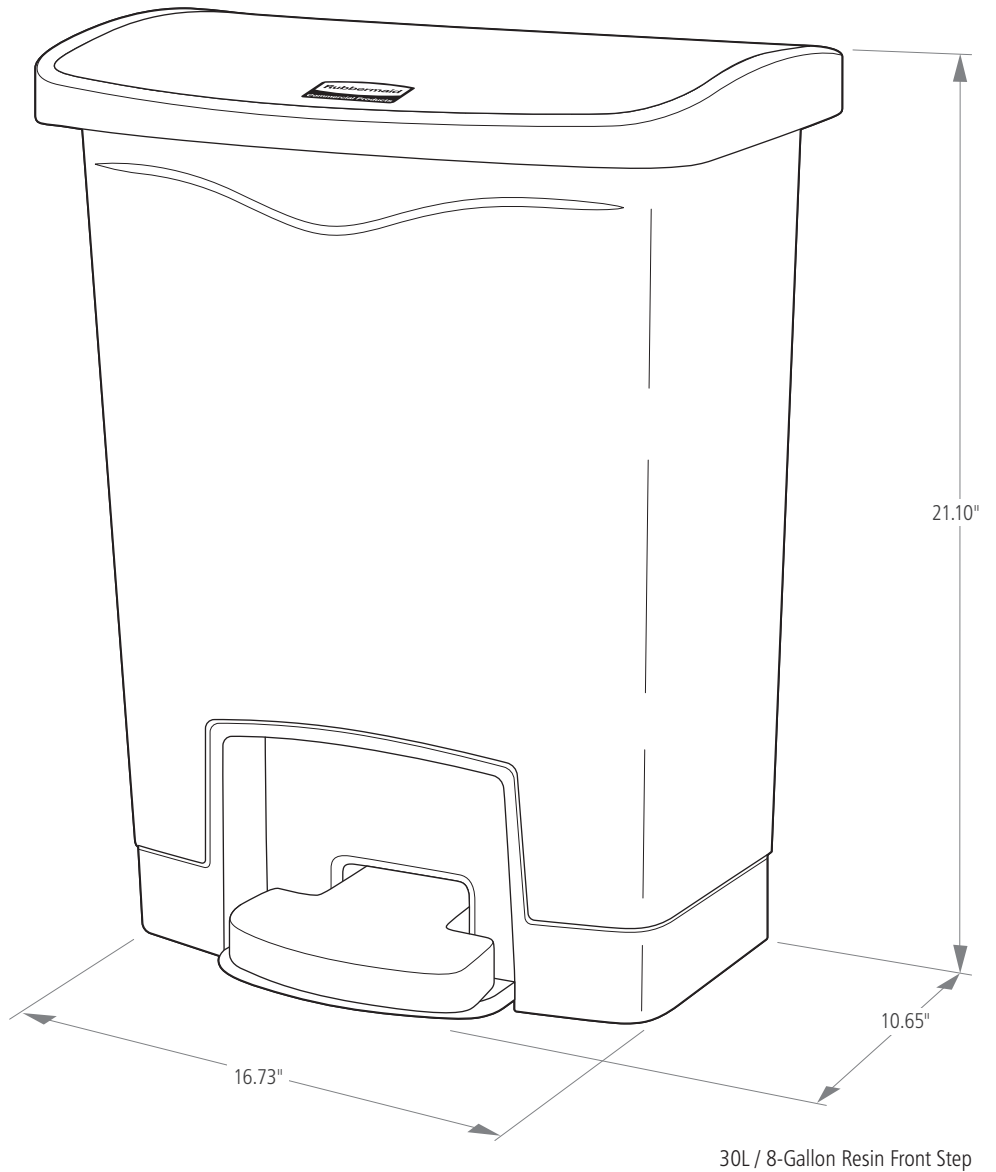
The Slim Jim® Step-On containers maximize space efficiency with a small footprint and slim profile ensuring a perfect fit in even the tightest places. Slim Jim® Step-On containers blend seamlessly into any environment.

Features and Benefits:

- Available in Front Step in 5 different sizes and 8 different colors
- Internal hinge design prevents the back of the lid from hitting the wall and causing damage
- Quiet and controlled lid closure minimizes noise to enhance guest satisfaction
- Liner retainer band and cinch easily and securely holds polyliners in place
- Increased foot pedal clearance for easier access and operation



OSHA OBRA



SLIM JIM® RESIN FRONT STEP CONTAINERS

| SKU # | DESCRIPTION | COLOR | CAPACITY | LENGTH | WIDTH | HEIGHT | WEIGHT | PACK SIZE |
|---------|-------------------------------------|----------------|----------|--------|-------|--------|--------|-----------|
| | | | L / GAL | IN | IN | IN | LB | |
| 1883455 | RESIN FRONT STEP | BEIGE | 15L/4G | 14.83 | 9.07 | 15.70 | 4.70 | 1 |
| 1883554 | RESIN FRONT STEP | WHITE | 15L/4G | 14.83 | 9.07 | 15.70 | 4.70 | 1 |
| 1883563 | RESIN FRONT STEP | RED | 15L/4G | 14.83 | 9.07 | 15.70 | 4.70 | 1 |
| 1883572 | RESIN FRONT STEP | YELLOW | 15L/4G | 14.83 | 9.07 | 15.70 | 4.70 | 1 |
| 1883581 | RESIN FRONT STEP | GREEN | 15L/4G | 14.83 | 9.07 | 15.70 | 4.70 | 1 |
| 1883590 | RESIN FRONT STEP | BLUE | 15L/4G | 14.83 | 9.07 | 15.70 | 4.70 | 1 |
| 1883599 | RESIN FRONT STEP | GRAY | 15L/4G | 14.83 | 9.07 | 15.70 | 4.70 | 1 |
| 1883608 | RESIN FRONT STEP | BLACK | 15L/4G | 14.83 | 9.07 | 15.70 | 4.70 | 1 |
| 1883456 | RESIN FRONT STEP | BEIGE | 30L/8G | 16.73 | 10.65 | 21.10 | 6.00 | 1 |
| 1883555 | RESIN FRONT STEP | WHITE | 30L/8G | 16.73 | 10.65 | 21.10 | 6.00 | 1 |
| 1883564 | RESIN FRONT STEP | RED | 30L/8G | 16.73 | 10.65 | 21.10 | 6.00 | 1 |
| 1883573 | RESIN FRONT STEP | YELLOW | 30L/8G | 16.73 | 10.65 | 21.10 | 6.00 | 1 |
| 1883582 | RESIN FRONT STEP | GREEN | 30L/8G | 16.73 | 10.65 | 21.10 | 6.00 | 1 |
| 1883591 | RESIN FRONT STEP | BLUE | 30L/8G | 16.73 | 10.65 | 21.10 | 6.00 | 1 |
| 1883600 | RESIN FRONT STEP | GRAY | 30L/8G | 16.73 | 10.65 | 21.10 | 6.00 | 1 |
| 1883609 | RESIN FRONT STEP | BLACK | 30L/8G | 16.73 | 10.65 | 21.10 | 6.00 | 1 |
| 1883458 | RESIN FRONT STEP | BEIGE | 50L/13G | 17.97 | 11.48 | 28.30 | 8.50 | 1 |
| 1883557 | RESIN FRONT STEP | WHITE | 50L/13G | 17.97 | 11.48 | 28.30 | 8.50 | 1 |
| 1883566 | RESIN FRONT STEP | RED | 50L/13G | 17.97 | 11.48 | 28.30 | 8.50 | 1 |
| 1883575 | RESIN FRONT STEP | YELLOW | 50L/13G | 17.97 | 11.48 | 28.30 | 8.50 | 1 |
| 1883584 | RESIN FRONT STEP | GREEN | 50L/13G | 17.97 | 11.48 | 28.30 | 8.50 | 1 |
| 1883593 | RESIN FRONT STEP | BLUE | 50L/13G | 17.97 | 11.48 | 28.30 | 8.50 | 1 |
| 1883602 | RESIN FRONT STEP | GRAY | 50L/13G | 17.97 | 11.48 | 28.30 | 8.50 | 1 |
| 1883611 | RESIN FRONT STEP | BLACK | 50L/13G | 17.97 | 11.48 | 28.30 | 8.50 | 1 |
| 1883460 | RESIN FRONT STEP | BEIGE | 68L/18G | 19.67 | 12.23 | 31.60 | 11.50 | 1 |
| 1883559 | RESIN FRONT STEP | WHITE | 68L/18G | 19.67 | 12.23 | 31.60 | 11.50 | 1 |
| 1883568 | RESIN FRONT STEP | RED | 68L/18G | 19.67 | 12.23 | 31.60 | 11.50 | 1 |
| 1883577 | RESIN FRONT STEP | YELLOW | 68L/18G | 19.67 | 12.23 | 31.60 | 11.50 | 1 |
| 1883586 | RESIN FRONT STEP | GREEN | 68L/18G | 19.67 | 12.23 | 31.60 | 11.50 | 1 |
| 1883595 | RESIN FRONT STEP | BLUE | 68L/18G | 19.67 | 12.23 | 31.60 | 11.50 | 1 |
| 1883604 | RESIN FRONT STEP | GRAY | 68L/18G | 19.67 | 12.23 | 31.60 | 11.50 | 1 |
| 1883613 | RESIN FRONT STEP | BLACK | 68L/18G | 19.67 | 12.23 | 31.60 | 11.50 | 1 |
| 1883552 | RESIN FRONT STEP | BEIGE | 90L/24G | 22.44 | 13.89 | 32.50 | 13.40 | 1 |
| 1883561 | RESIN FRONT STEP | WHITE | 90L/24G | 22.44 | 13.89 | 32.50 | 13.40 | 1 |
| 1883570 | RESIN FRONT STEP | RED | 90L/24G | 22.44 | 13.89 | 32.50 | 13.40 | 1 |
| 1883579 | RESIN FRONT STEP | YELLOW | 90L/24G | 22.44 | 13.89 | 32.50 | 13.40 | 1 |
| 1883588 | RESIN FRONT STEP | GREEN | 90L/24G | 22.44 | 13.89 | 32.50 | 13.40 | 1 |
| 1883597 | RESIN FRONT STEP | BLUE | 90L/24G | 22.44 | 13.89 | 32.50 | 13.40 | 1 |
| 1883606 | RESIN FRONT STEP | GRAY | 90L/24G | 22.44 | 13.89 | 32.50 | 13.40 | 1 |
| 1883615 | RESIN FRONT STEP | BLACK | 90L/24G | 22.44 | 13.89 | 32.50 | 13.40 | 1 |
| 1883617 | RIGID LINER FOR RESIN FRONT STEP | BLACK | 15L/4G | 12.81 | 7.44 | 12.75 | 1.60 | 1 |
| 1883618 | RIGID LINER FOR RESIN FRONT STEP | BLACK | 30L/8G | 14.81 | 9.06 | 18.13 | 2.80 | 1 |
| 1883619 | RIGID LINER FOR RESIN FRONT STEP | BLACK | 50L/13G | 15.81 | 9.81 | 25.44 | 4.40 | 1 |
| 1883620 | RIGID LINER FOR RESIN FRONT STEP | BLACK | 68L/18G | 17.75 | 10.19 | 28.25 | 5.40 | 1 |
| 1883621 | RIGID LINER FOR RESIN FRONT STEP | BLACK | 90L/24G | 20.31 | 11.81 | 29.25 | 6.20 | 1 |
| 1883627 | DUAL LINER SET FOR RESIN FRONT STEP | BLACK/ BLUE | 30L/8G | 14.81 | 9.06 | 18.13 | 3.90 | 1 |
| 1883628 | DUAL LINER SET FOR RESIN FRONT STEP | BLACK/ BLUE | 50L/13G | 15.81 | 9.81 | 25.44 | 4.80 | 1 |
| 1883629 | DUAL LINER SET FOR RESIN FRONT STEP | BLACK/ BLUE | 90L/24G | 20.31 | 11.81 | 29.50 | 7.80 | 1 |

