



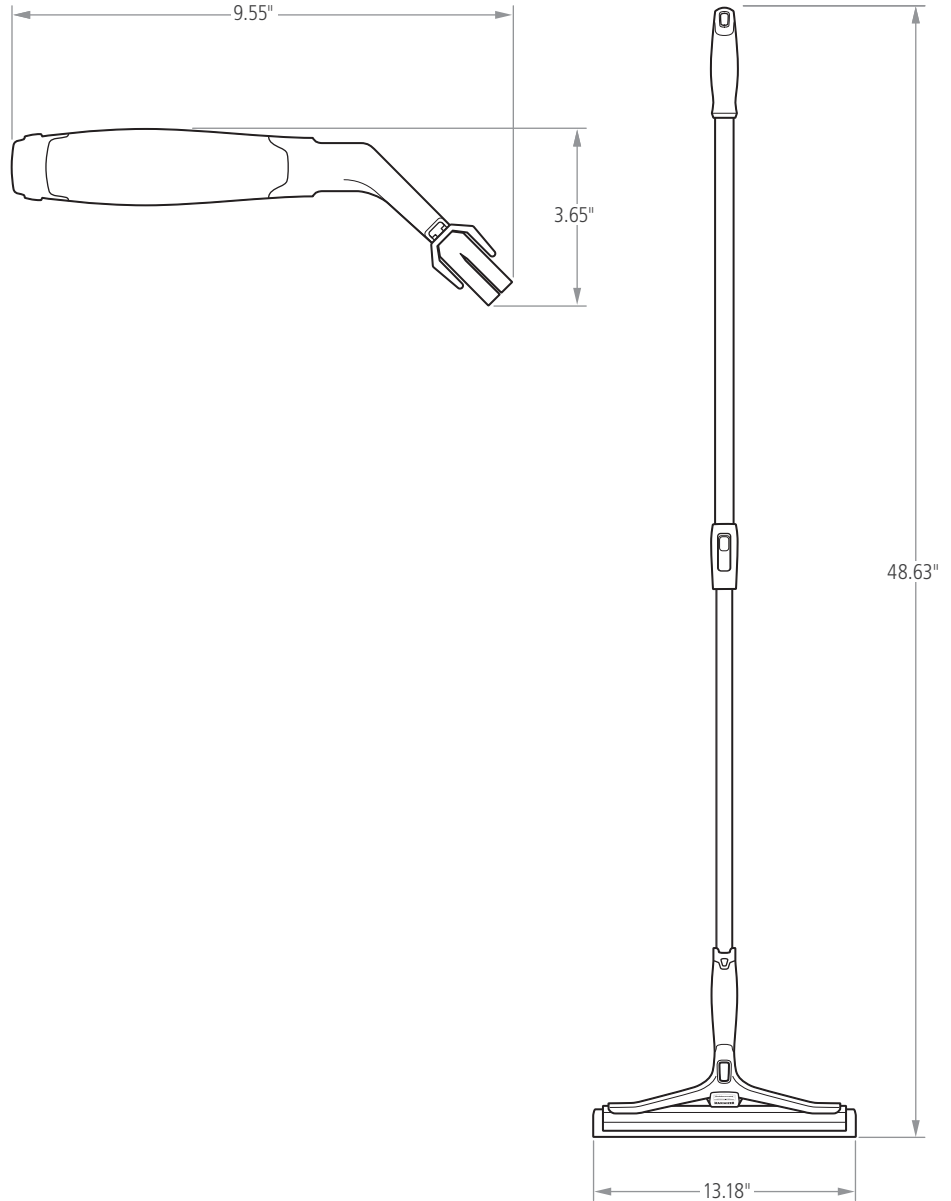
MAXIMIZER™

The new Maximizer™ cleaning tools from Rubbermaid Commercial Products help workers save time by reducing steps in a task, reducing the time of a step and reducing user effort. Engineered to last and designed to perform in a variety of common spaces, Maximizer™ cleaning tools deliver fast, consistent results shift after shift.

Features and Benefits:

- Squeegee easily connects to the Maximizer™ Quick Change Handle (sold separately)
- EVA foam rubber blades designed for easy removal of liquids
- Stores easily in Maximizer™ storage tray

QUICK CHANGE SQUEEGEE



Unit Packaged Dimensions

SKU #	DESCRIPTION	COLOR	LENGTH IN	WIDTH IN	HEIGHT IN	WEIGHT LB	PACK SIZE
2018801	MAXIMIZER™ QUICK CHANGE SQUEEGEE	BLACK	13.13	10.13	2.06	0.40	6
2018789	MAXIMIZER™ QUICK CHANGE EXTENSION HANDLE	YELLOW	35.50	1.75	1.63	0.84	12

