



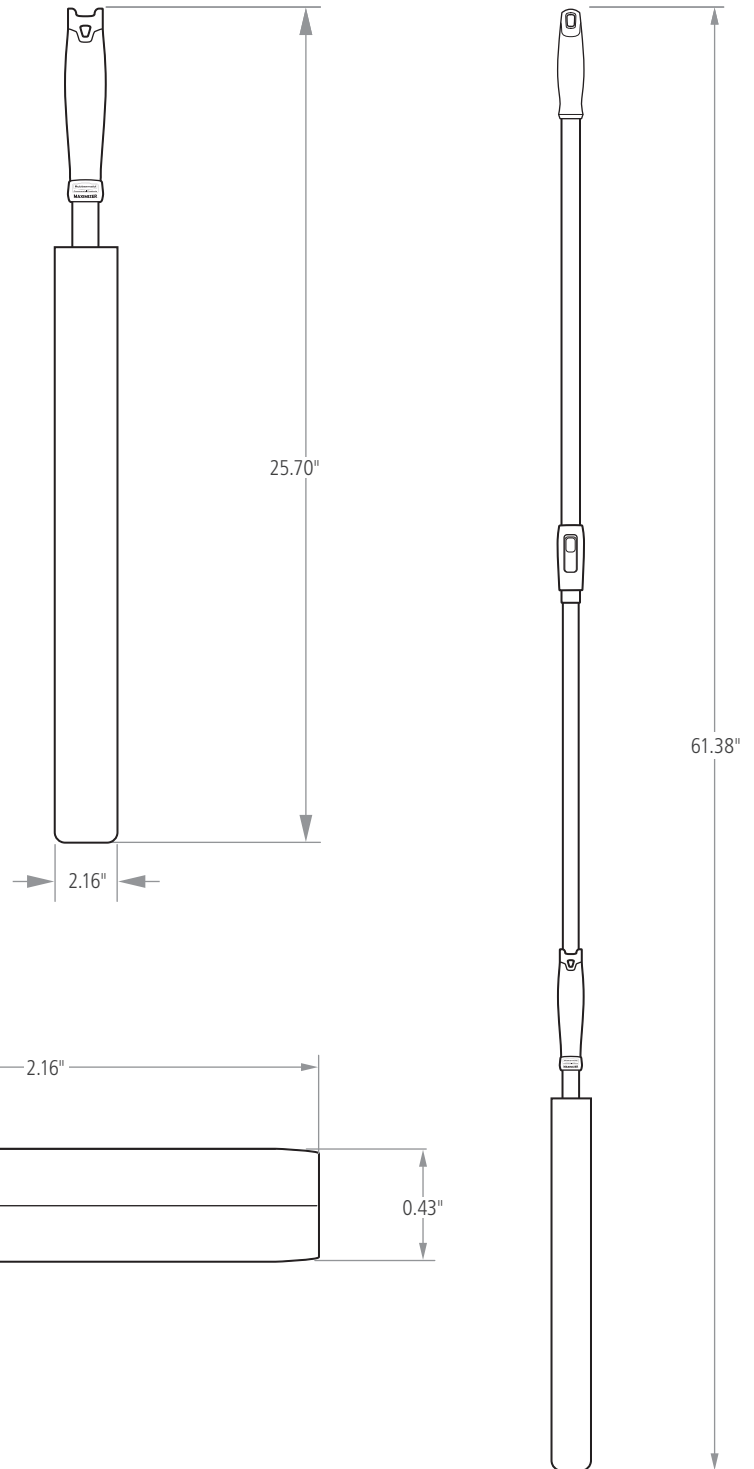
MAXIMIZER™

The new Maximizer™ cleaning tools from Rubbermaid Commercial Products help workers save time by reducing steps in a task, reducing the time of a step and reducing user effort. Engineered to last and designed to perform in a variety of common spaces, Maximizer™ cleaning tools deliver fast, consistent results shift after shift.

Features and Benefits:

- Duster Frame easily connects to the Maximizer™ Quick Change handle (sold separately)
- Frame accepts Rubbermaid Commercial Products duster sleeves (sold separately)
- Adjustable frame contours for better pickup of dust and dirt on uneven surfaces and hard-to-reach areas
- Stores easily in Maximizer™ storage tray

QUICK CHANGE DUSTER FRAME



Frame Width & Thickness

Unit Packaged Dimensions

SKU #	DESCRIPTION	COLOR	LENGTH IN	WIDTH IN	HEIGHT IN	WEIGHT LB	PACK SIZE
2018790	MAXIMIZER™ QUICK CHANGE DUSTER	BLACK	25.88	2.13	1.25	0.36	6
2018789	MAXIMIZER™ QUICK CHANGE EXTENSION HANDLE	YELLOW	35.50	1.75	1.63	0.84	12

