

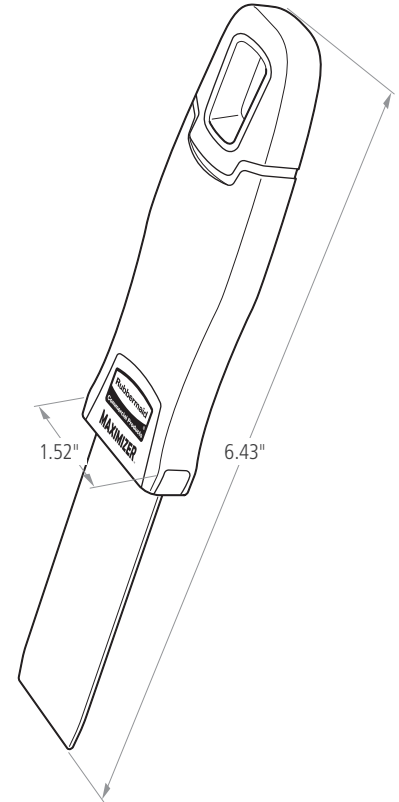
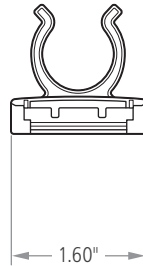
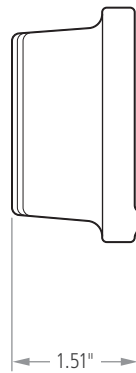
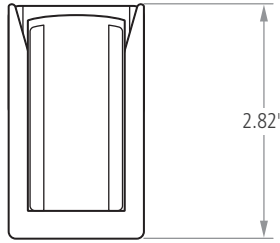


# MAXIMIZER™

The new Maximizer™ cleaning tools from Rubbermaid Commercial Products help workers save time by reducing steps in a task, reducing the time of a step and reducing user effort. Engineered to last and designed to perform in a variety of common spaces, Maximizer™ cleaning tools deliver fast, consistent results shift after shift.

## Features and Benefits:

- Allows for quick cleanup of stuck-on debris
- Easily clips on 15/16" to 1 1/8" diameter thick handles
- Scraper features a stainless steel blade for durability and superior wear resistance
- Molded grip for comfort



### Unit Packaged Dimensions

SKU #	DESCRIPTION	COLOR	LENGTH IN	WIDTH IN	HEIGHT IN	WEIGHT LB	PACK SIZE
2018822	MAXIMIZER™ EZ ACCESS SCRAPER – REPLACEMENT	BLACK	6.56	1.63	1.63	0.19	12

