



SLIM JIM® RESIN END STEP CONTAINERS

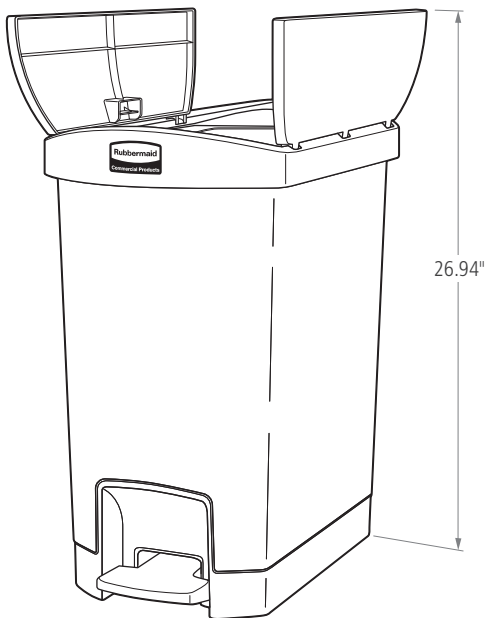
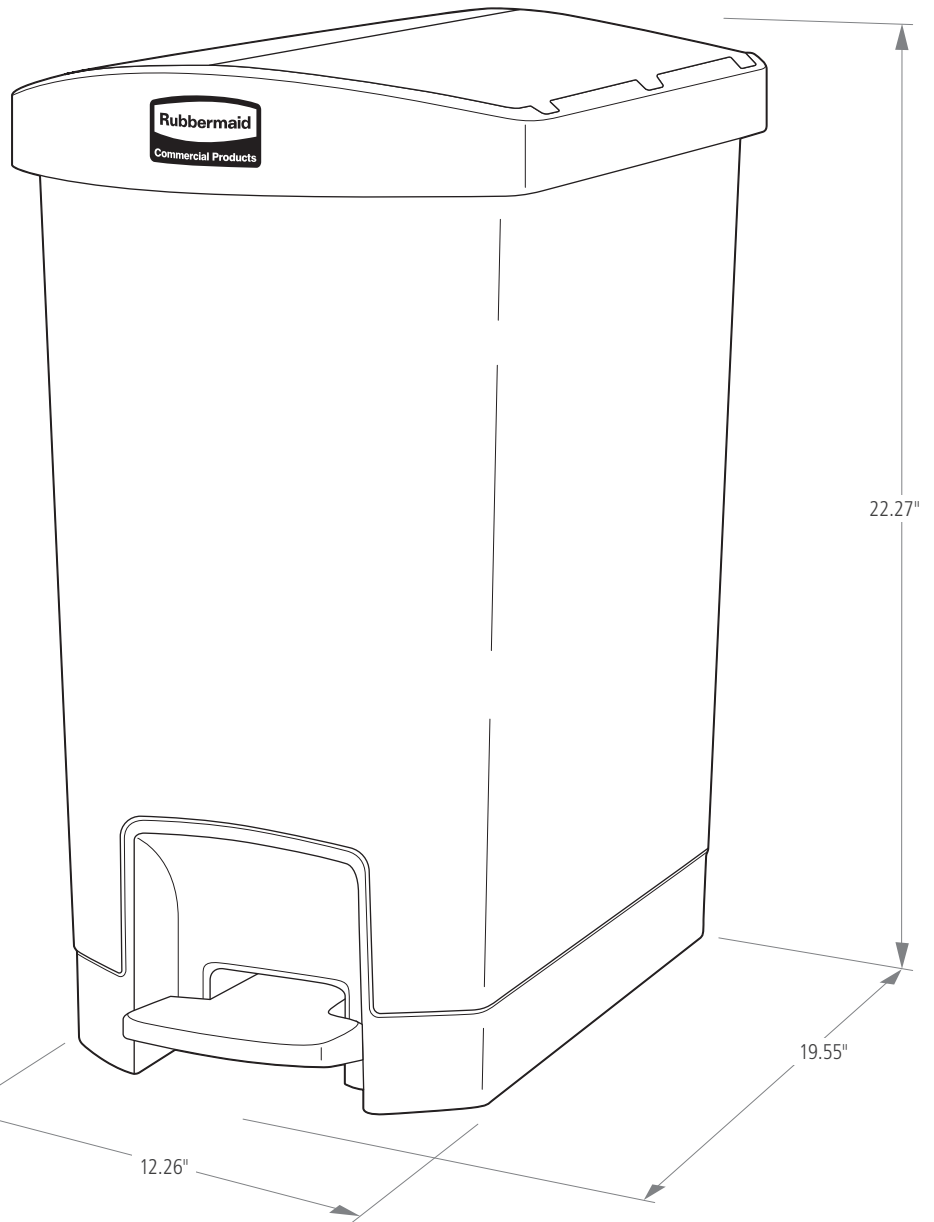
The Slim Jim® Step-On containers maximize space efficiency with a small footprint and slim profile ensuring a perfect fit in even the tightest places. Slim Jim® Step-On containers blend seamlessly into any environment.

Features and Benefits:

- Available in End Step in 4 different sizes and 8 different colors
- Internal hinge design prevents the back of the lid from hitting the wall and causing damage
- Quiet and controlled lid closure minimizes noise to enhance guest satisfaction
- Liner retainer band and cinch easily and securely holds polyliners in place
- Increased foot pedal clearance for easier access and operation



OSHA OBRA



SLIM JIM® RESIN END STEP CONTAINERS

SKU #	DESCRIPTION	COLOR	CAPACITY	LENGTH	WIDTH	HEIGHT	WEIGHT	PACK SIZE
			L / GAL	IN	IN	IN	LB	
1883457	RESIN END STEP	BEIGE	30L/8G	19.55	12.26	22.27	10.70	1
1883556	RESIN END STEP	WHITE	30L/8G	19.55	12.26	22.27	10.70	1
1883565	RESIN END STEP	RED	30L/8G	19.55	12.26	22.27	10.70	1
1883574	RESIN END STEP	YELLOW	30L/8G	19.55	12.26	22.27	10.70	1
1883583	RESIN END STEP	GREEN	30L/8G	19.55	12.26	22.27	10.70	1
1883592	RESIN END STEP	BLUE	30L/8G	19.55	12.26	22.27	10.70	1
1883601	RESIN END STEP	GRAY	30L/8G	19.55	12.26	22.27	10.70	1
1883610	RESIN END STEP	BLACK	30L/8G	19.55	12.26	22.27	10.70	1
1883459	RESIN END STEP	BEIGE	50L/13G	20.75	13.52	28.38	15.60	1
1883558	RESIN END STEP	WHITE	50L/13G	20.75	13.52	28.38	15.60	1
1883567	RESIN END STEP	RED	50L/13G	20.75	13.52	28.38	15.60	1
1883576	RESIN END STEP	YELLOW	50L/13G	20.75	13.52	28.38	15.60	1
1883585	RESIN END STEP	GREEN	50L/13G	20.75	13.52	28.38	15.60	1
1883594	RESIN END STEP	BLUE	50L/13G	20.75	13.52	28.38	15.60	1
1883603	RESIN END STEP	GRAY	50L/13G	20.75	13.52	28.38	15.60	1
1883612	RESIN END STEP	BLACK	50L/13G	20.75	13.52	28.38	15.60	1
1883551	RESIN END STEP	BEIGE	68L/18G	22.11	14.70	30.76	17.10	1
1883560	RESIN END STEP	WHITE	68L/18G	22.11	14.70	30.76	17.10	1
1883569	RESIN END STEP	RED	68L/18G	22.11	14.70	30.76	17.10	1
1883578	RESIN END STEP	YELLOW	68L/18G	22.11	14.70	30.76	17.10	1
1883587	RESIN END STEP	GREEN	68L/18G	22.11	14.70	30.76	17.10	1
1883596	RESIN END STEP	BLUE	68L/18G	22.11	14.70	30.76	17.10	1
1883605	RESIN END STEP	GRAY	68L/18G	22.11	14.70	30.76	17.10	1
1883614	RESIN END STEP	BLACK	68L/18G	22.11	14.70	30.76	17.10	1
1883553	RESIN END STEP	BEIGE	90L/24G	25.09	15.87	32.02	21.10	1
1883562	RESIN END STEP	WHITE	90L/24G	25.09	15.87	32.02	21.10	1
1883571	RESIN END STEP	RED	90L/24G	25.09	15.87	32.02	21.10	1
1883580	RESIN END STEP	YELLOW	90L/24G	25.09	15.87	32.02	21.10	1
1883589	RESIN END STEP	GREEN	90L/24G	25.09	15.87	32.02	21.10	1
1883598	RESIN END STEP	BLUE	90L/24G	25.09	15.87	32.02	21.10	1
1883607	RESIN END STEP	GRAY	90L/24G	25.09	15.87	32.02	21.10	1
1883616	RESIN END STEP	BLACK	90L/24G	25.09	15.87	32.02	21.10	1
1883623	RIGID LINER FOR RESIN END STEP	BLACK	30L/8G	16.50	8.69	19.50	3.20	1
1883624	RIGID LINER FOR RESIN END STEP	BLACK	50L/13G	17.75	9.94	25.50	4.60	1
1883625	RIGID LINER FOR RESIN END STEP	BLACK	68L/18G	19.12	11.13	28.00	5.60	1
1883626	RIGID LINER FOR RESIN END STEP	BLACK	90L/24G	22.06	11.81	29.25	6.60	1

